

STEAMIST®

Steam Generator

Models: SM-11

Features

Limited Lifetime warranty - 2-year labor in home labor warranty where available

Generator typically can be installed up to 25 ft. from the bathing area

Diagnostic LED Displays

Stainless Steel Construction

Solid-State Circuitry

Codes/Standards

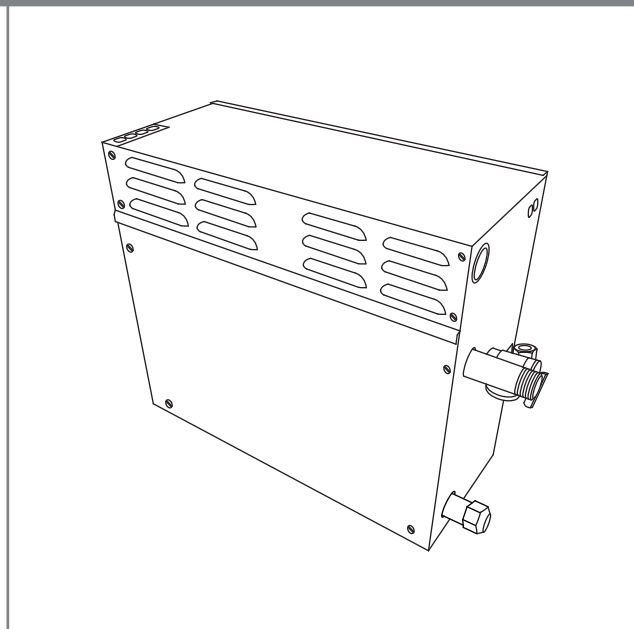
UL 499

UL/CUL Listed

City of LA - Approved

City of New York - M.E.A Approved

State of Mass. Approved



Steam Generator Specification Chart

Model Number	Product Number	KW Rating	*Max. Cu. Ft. Range	Volts/Phase/Max. Amps	Line Fuse	Dimensions L x W x H
SM-11	1100	11	500	240/1/46	60	17¼" x 7½" x 15½"
	1101			208/1/53	70	
	1102			240/3/27	40	
	1103			208/3/31	40	

* Refer to sizing guidelines to accurately determine the proper size generator for the installation.
90°C copper wire is required for generator connection. Installation shall be in accordance with NEC and local electrical codes.

Required Equipment

SMC-120, SMC-150, TC-110, TC-135, TC-125, TC-150, DSC-425, or DSP Controls

Required Electrical Service

Dedicated circuit required: See Specification Chart for proper electrical requirements

Product Information

Water Supply - ⅜" Compression Fitting, 120 PSI Max

Steam Line - ¾" Brass BPT male thread

Pressure Relief Valve - ¾" NPT female thread

Drain Line - Capped ½" Brass NPT male thread.

Generator

Weight - 40 lbs.

Installation Notes

Steam Generators can be typically mounted within 25 ft. of the bathing area.

Steam Generators should be accessible for service.

Do NOT install near flammable material such as paints, thinners, gasoline, etc.

Steam generators must NOT be installed outdoors, in moist, humid areas, in areas prone to freezing, or extreme heat such as an unventilated attic. To do so will void the warranty.

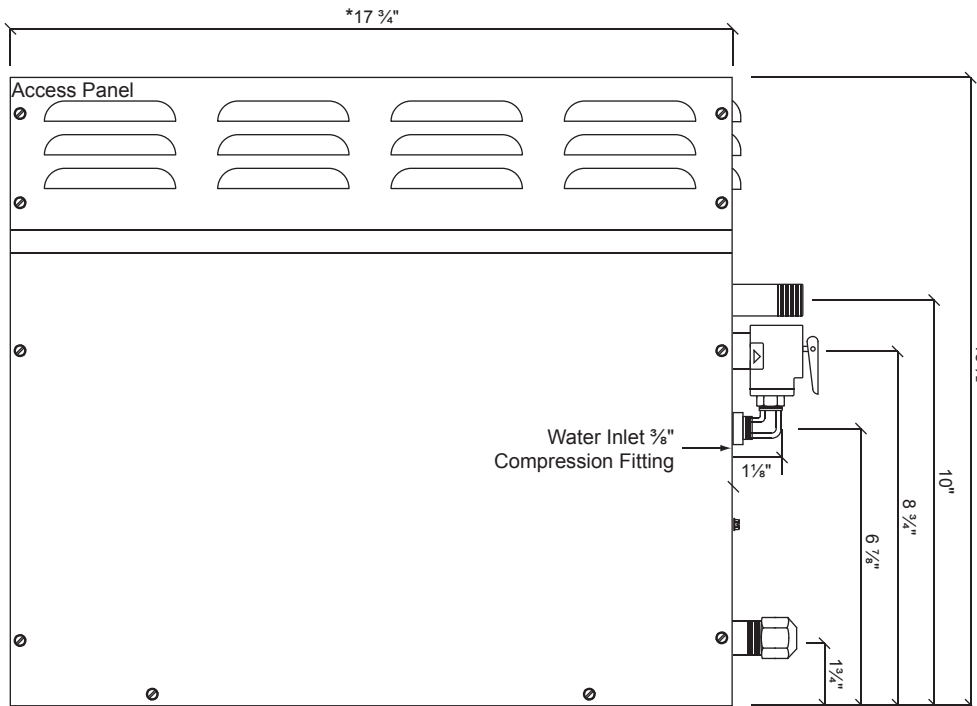
Steamhead to be mounted 18" above floor or 6" above rim of tub and as far from the seating area as possible.

Rough-in Notes

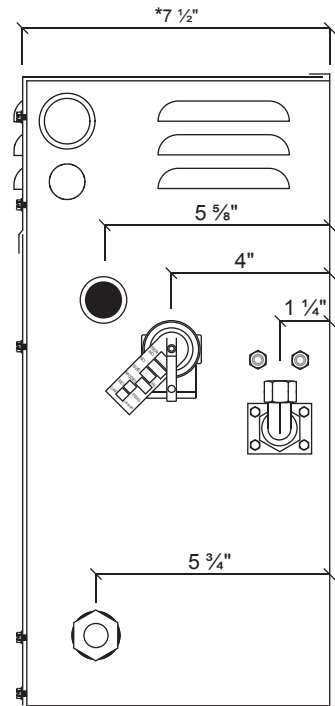
Access: 28" W x 18" D x 22" H (35" W with Auto Drain)

Dimensional Drawing

Models: SM-11

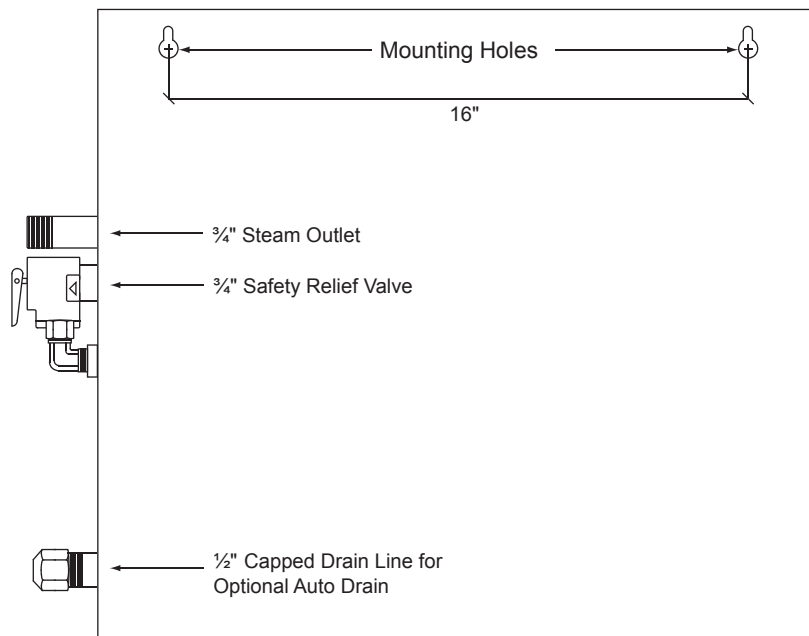


Front Access

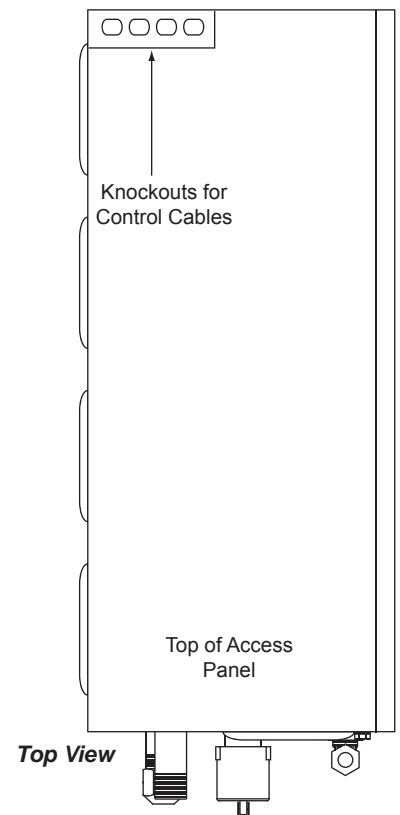


Front Side View

* Add 1/4" to the dimension for the louvers



Back View



Top View